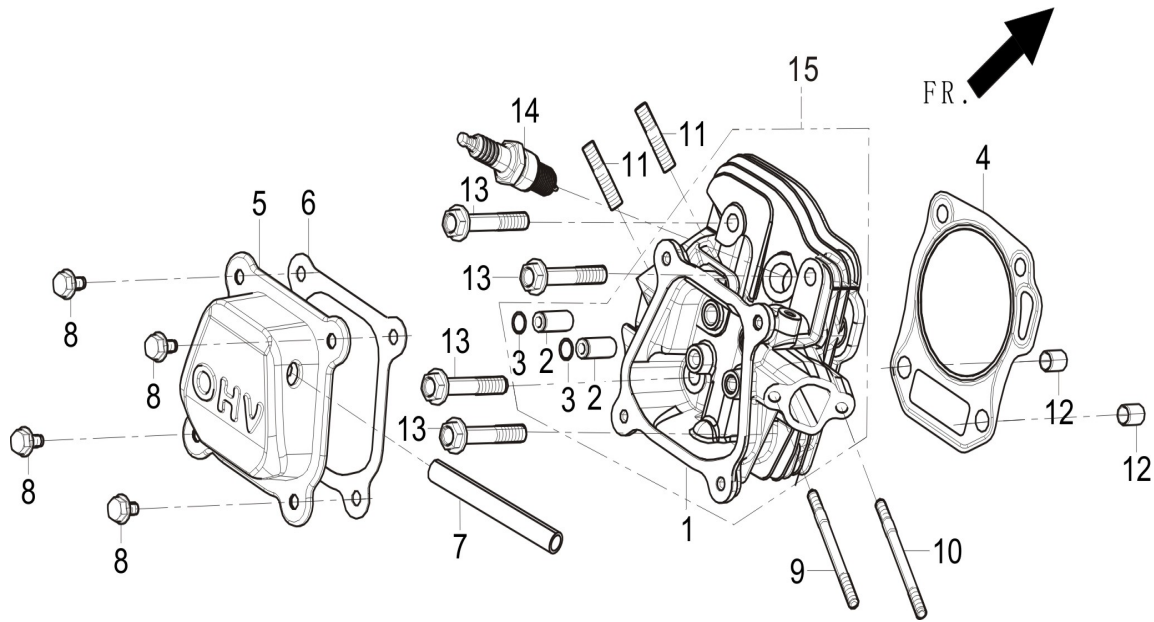


# 180-3 E104430

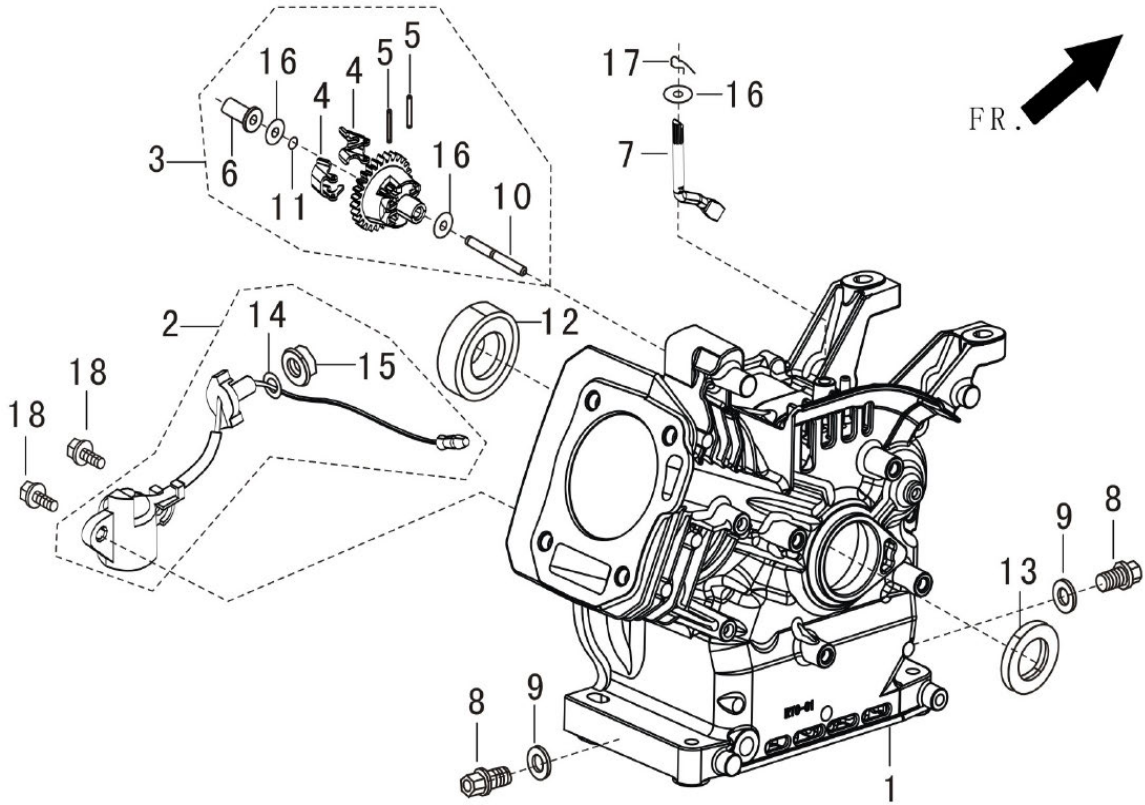
FIG.1 HEAD SUBASSEMBLY, CYLINDER / PLUG, SPARK(E04)



MAT PART NO.	REF.NO.	PART NO	DESCRIPTION
E106050	E04-4	12131-Z440110-0000	GASKET, CYLINDER HEAD
E106051	E04-5	12410-Z010220-H300	COVER SUBASSEMBLY, CYLINDER HEAD
E106052	E04-6	12004-Z010110-0000	GASKET, CYLINDER HEAD COVER
	E04-7	17004-Z010210-0000	TUBE, BREATHER
	E04-8	90001-0612-03	BOLT
	E04-9	90204-Z010310-0000	STUD
	E04-10	90203-Z010110-0000	STUD
	E04-11	90502-1114-00	PIN
	E04-12	12003-Z010110-0000	BOLT, CYLINDER HEAD
A201233	E04-13	30010-Z010210-0000	PLUG, SPARKa
	E04-14	12140-Z440110-0000	HEAD SUBASSEMBLY, CYLINDER
	E04-15	90207-Z330210-0000	STUD

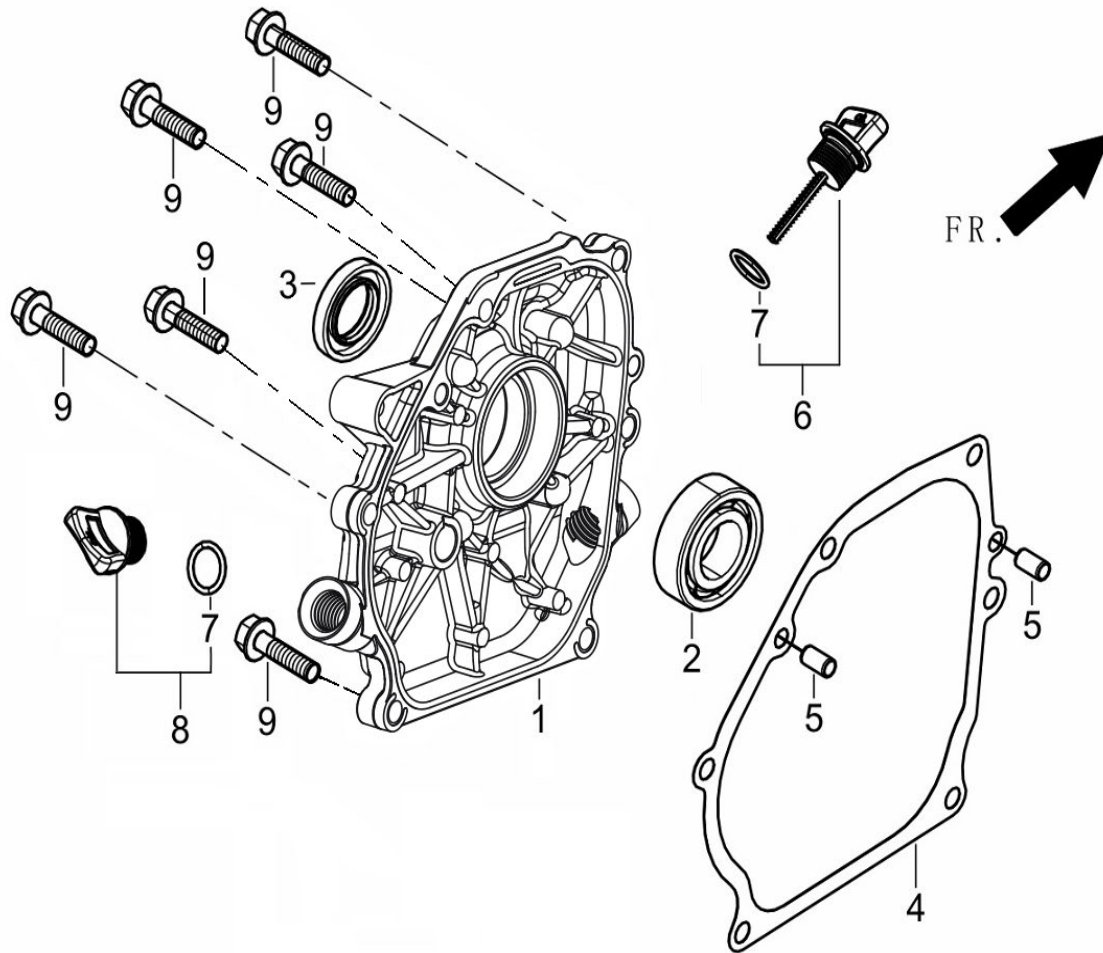
P6TC spark plug; gap is 0.7-0.8mm

**FIG.2 CRANKCASE. / GEAR ASSY, GOVERNOR.(E17)**



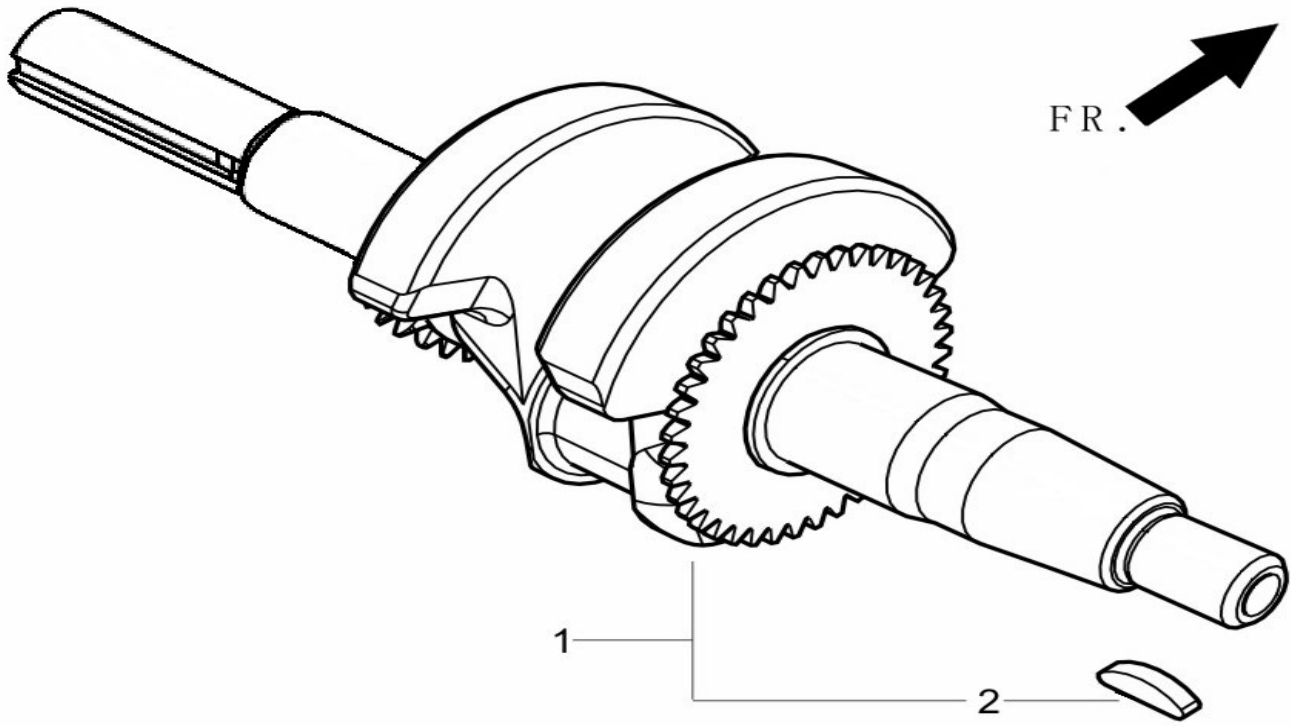
MAT PART NO.	REF.NO.	PART NO	DESCRIPTION
	E17-1	11310-Z440310-0000	CRANKCASE SUBASSEMBLY.
E106056	E17-2	37060-Z010110-0000	SENSOR, ENGINE OIL
E106057	E17-3	16400-Z010110-0000	GEAR ASSY, GOVERNOR
	E17-7	16061-Z010110-0000	ARM, GOVERNOR
	E17-8	11007-Z010110-0000	BOLT, DRAIN PLUG
	E17-9	90408-Z010110-0000	WASHER
	E17-12	90548-0205-00	BEARING
E106058	E17-13	90682-Z300110-0000	SEAL, OIL
	E17-16	90408-Z010210-0000	WASHER, GOVERNOR GEAR
	E17-17	90501-Z010110-0000	PIN
	E17-18	90001-0614-01	BOLT

**FIG.3 COVER SUBASSEMBLY, CRANKCASE (E01)**



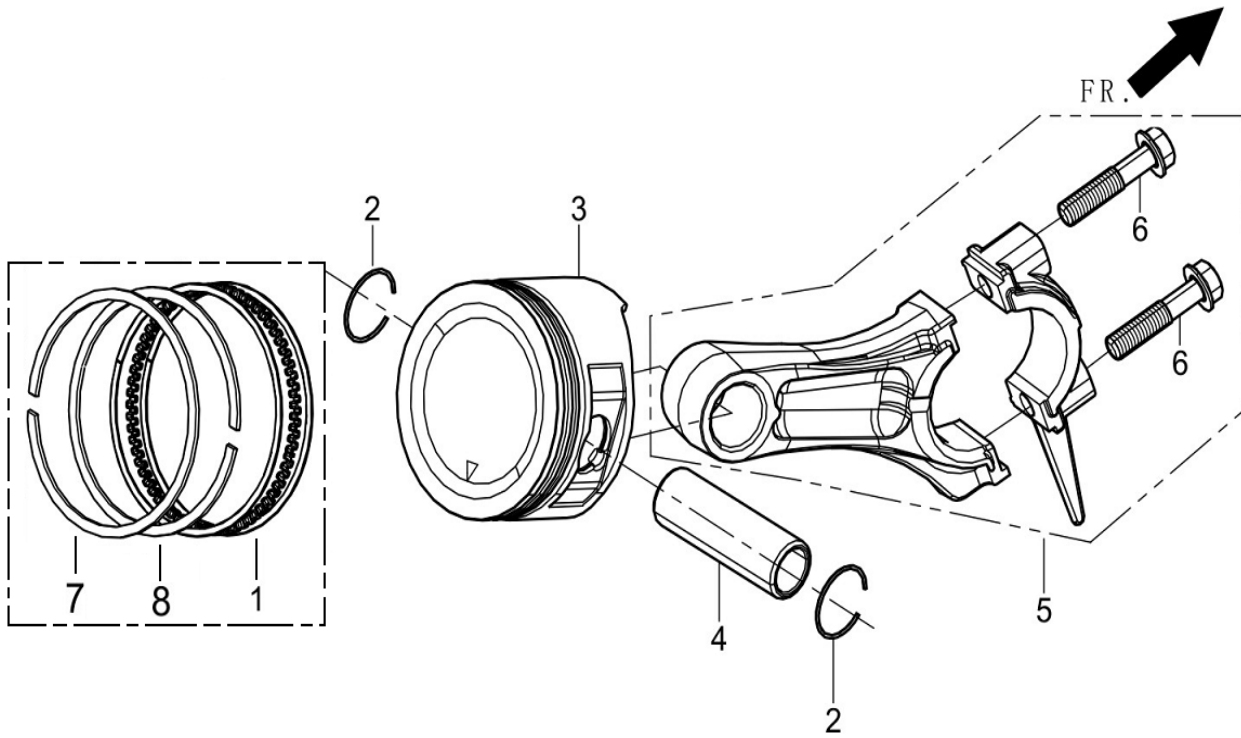
MAT PART NO.	REF.NO.	PART NO	DESCRIPTION
	E01-1	11411-Z440110-0000	COVER ASSY, CRANKCASE
	E01-2	90548-0205-00	BEARING
E106058	E01-3	90682-Z300110-0000	SEAL, OIL
E106060	E01-4	11001-Z440110-0000	GASKET, CRANKCASE
	E01-5	90502-0912-00	PIN
E106061	E01-6	15010-Z010110-Q500	DIPSTICK SUBASSEMBLY, OIL
E106062	E01-8	15030-Z010110-Q500	PLUG SUBASSEMBLY, ENGINE OIL
	E01-9	90001-0832-01	BOLT

**FIG.4 ROD,CRANKSHAFT CONNETING(E03)**



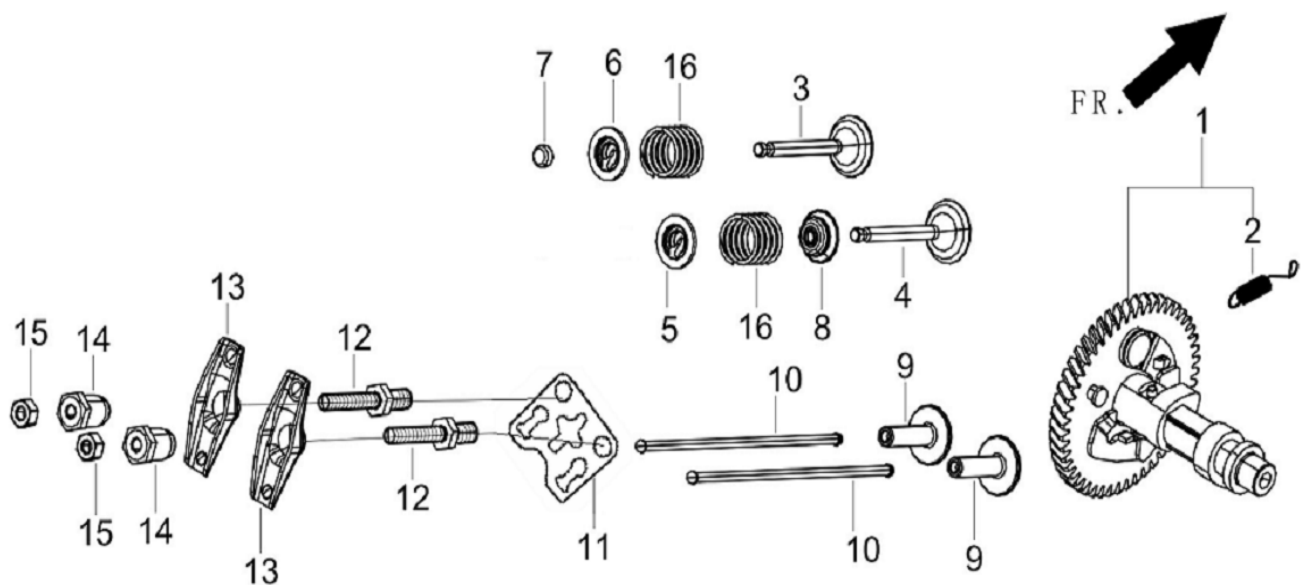
<b>MAT PART NO.</b>	<b>REF.NO.</b>	<b>PART NO</b>	<b>DESCRIPTION</b>
E03-1		13300-Z441810-0000	CRANKSHAFT ASSY.

**FIG.5 RING SET,OIL / ROD,CRANKSHAFT CONNETING ( E03 )**



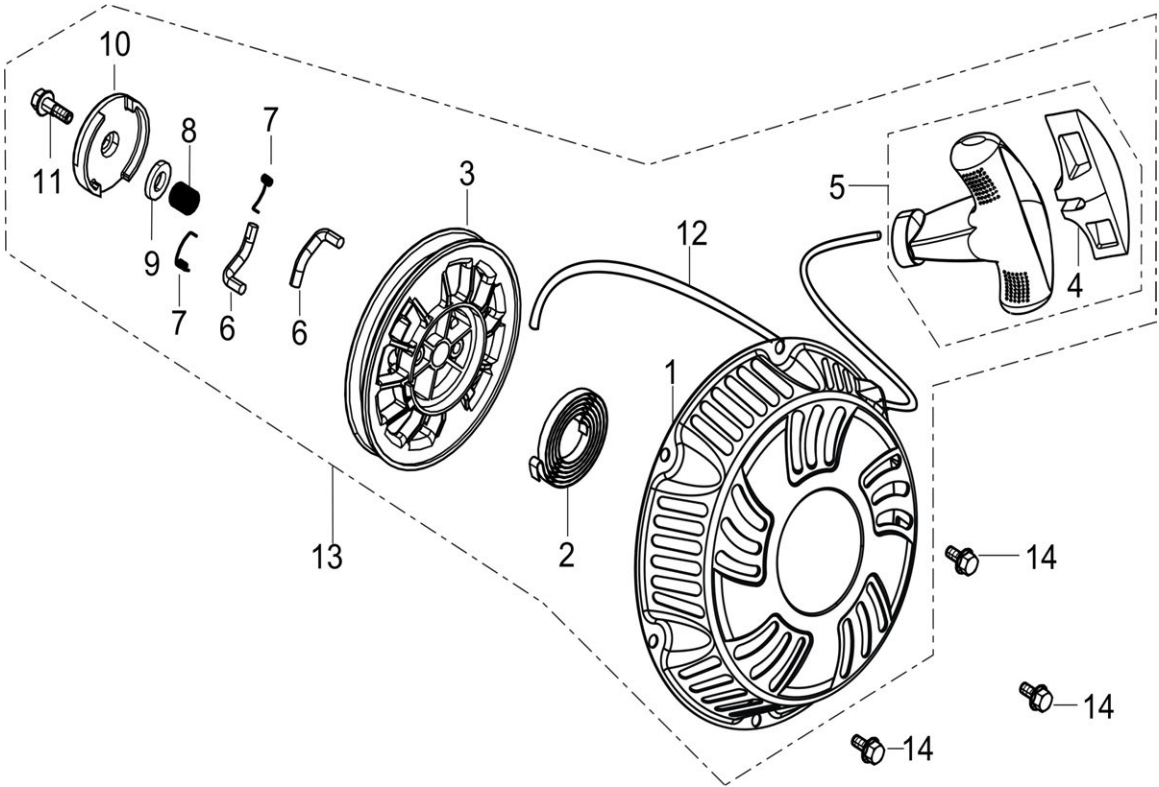
MAT PART NO.	REF.NO.	PART NO	DESCRIPTION
E04-1		13210-Z360110-0000	RING SET, OIL
E04-2		13122-Z010110-0000	CLIP, PISTON PIN
E04-3		13111-Z360120-0000	PISTON ASSY.
E04-4		13121-Z360110-0000	PIN, PISTON
E04-5		13010-Z440110-0000	ROD, CONNECTING
E04-7		13201-Z360110-0000	RING, THE FIRST
E04-8		13202-Z360110-0000	RING, THE SECOND

**FIG.6 TRAIN,VALVE / CAMSHAFT SUBASSEMBLY ( E05 )**



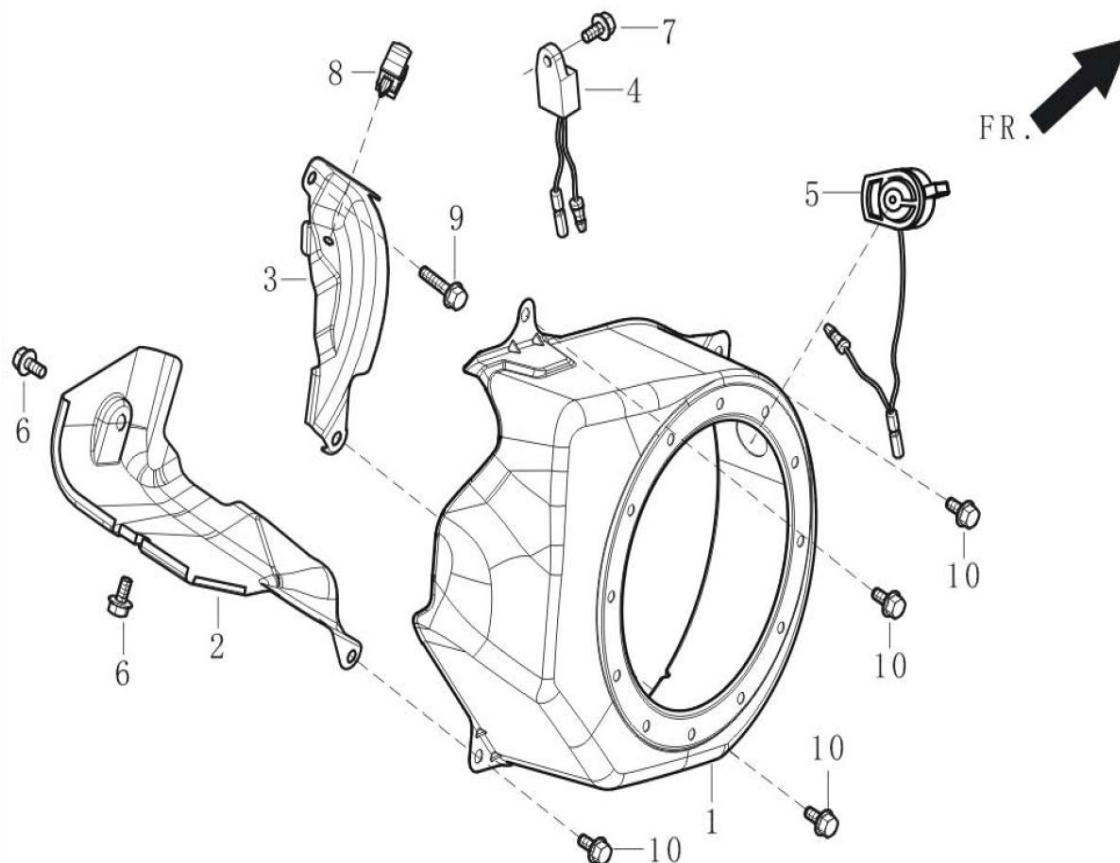
MAT PART NO.	REF.NO.	PART NO	DESCRIPTION
	E04-1	14200-Z440110-0000	CAMSHAFT ASSY.
E106063 KIT	E04-3	12121-Z010110-0000	VALVE, EXHAUST
E106063 KIT	E04-4	12111-Z010110-0000	VALVE, INTAKE
E106063 KIT	E04-5	12112-Z010110-0000	SEAT, VALVE SPRING
E106063 KIT	E04-6	12107-Z010110-0000	RETAINER, EXHAUST VALVE
E106063 KIT	E04-7	12104-Z010110-0000	ROTATOR, VALVE
E106063 KIT	E04-8	12101-Z010110-0000	GUIDE, SEAL
	E04-9	14081-Z440110-0000	TAPPET, VALVE
E106064	E04-10	14071-Z440110-0000	LIFTER, VALVE
	E04-11	14090-Z440110-0000	PLATE SUBASSEMBLY, LIFTER STOPPER
	E04-12	14313-Z010110-0000	BOLT, VALVE ADJUSTING
E106065	E04-13	14311-Z010110-0000	ROCKER, VALVE
	E04-14	14314-Z010110-0000	NUT, VALVE ADJUSTING
	E04-15	14312-Z010110-0000	NUT, VALVE LOCK
E106063 KIT	E04-16	12103-Z010110-0000	SPRING, VALVE

**FIG.7 STARTER,RECOIL ( E08 )**



MAT PART NO.	REF.NO.	PART NO	DESCRIPTION
E105194	E08-13	28200-Z440110-H700	STARTER ASSY, RECOIL
E105193	E08-14	90001-0608-01	BOLT

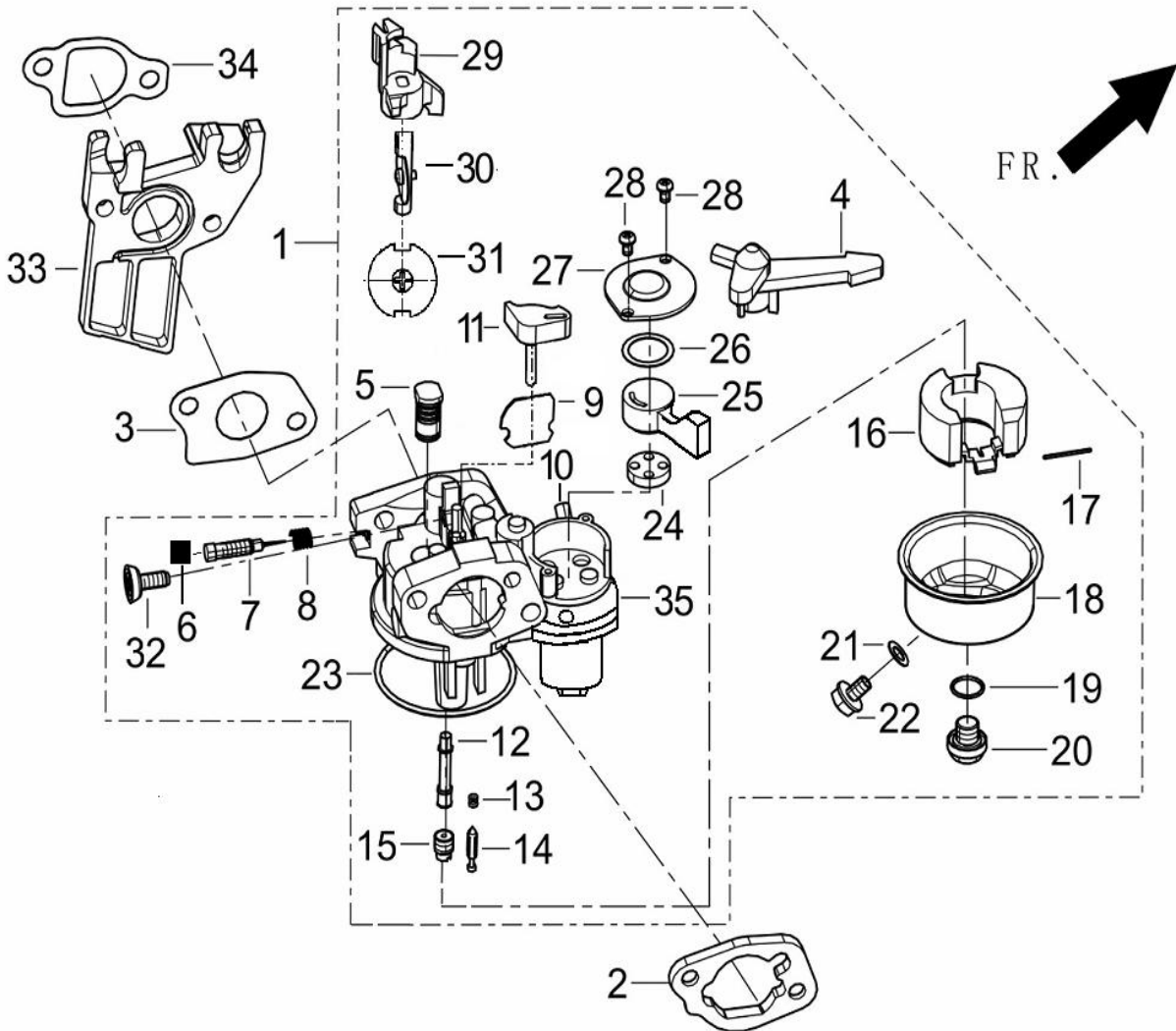
**FIG.8 SHROUD / SHIELD,LOWER (E14)**



MAT PART NO.	REF.NO.	PART NO	DESCRIPTION
E106066	E14-1	28110-Z010410-H700	SHROUD
E106067	E14-2	19304-Z010110-0000	SHROUD, CYLINDER BODY
E106068	E14-3	19340-Z010120-0000	SHIELD,LOWER
E106069	E14-4	37050-Z010210-0000	PROTECTOR, OIL
E106070	E14-5	35540-Z060120-QG00	SWITCH SUBASSEMBLY, STOP ENGINE
	E14-6	90001-0610-01	BOLT
	E14-7	90001-0610-01	BOLT
	E14-8	90740-Z010110-0000	COLLAR
	E14-9	90001-0616-01	BOLT
	E14-10	90001-0612-01	BOLT

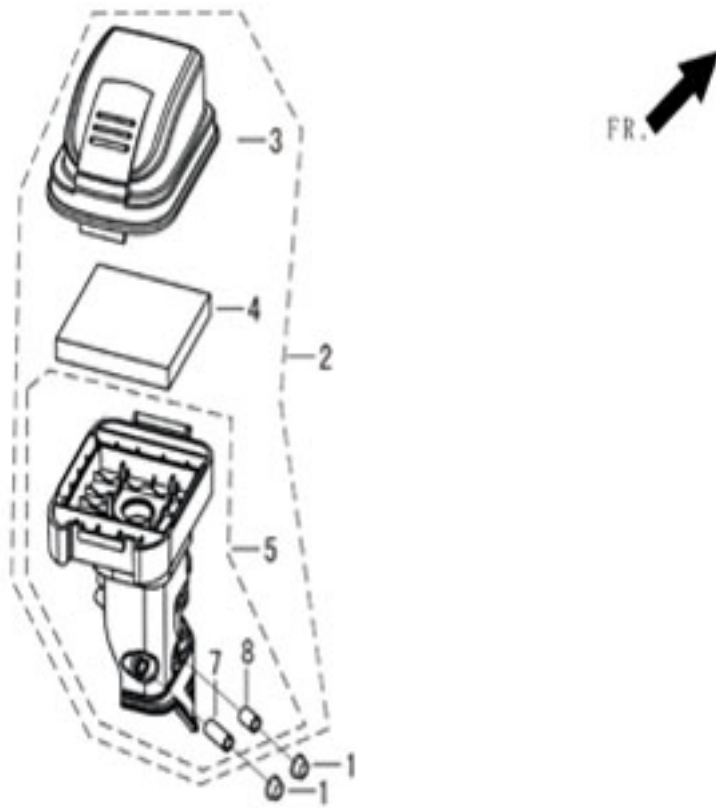


**FIG.9 CARBURETOR ASSY. (E11)**



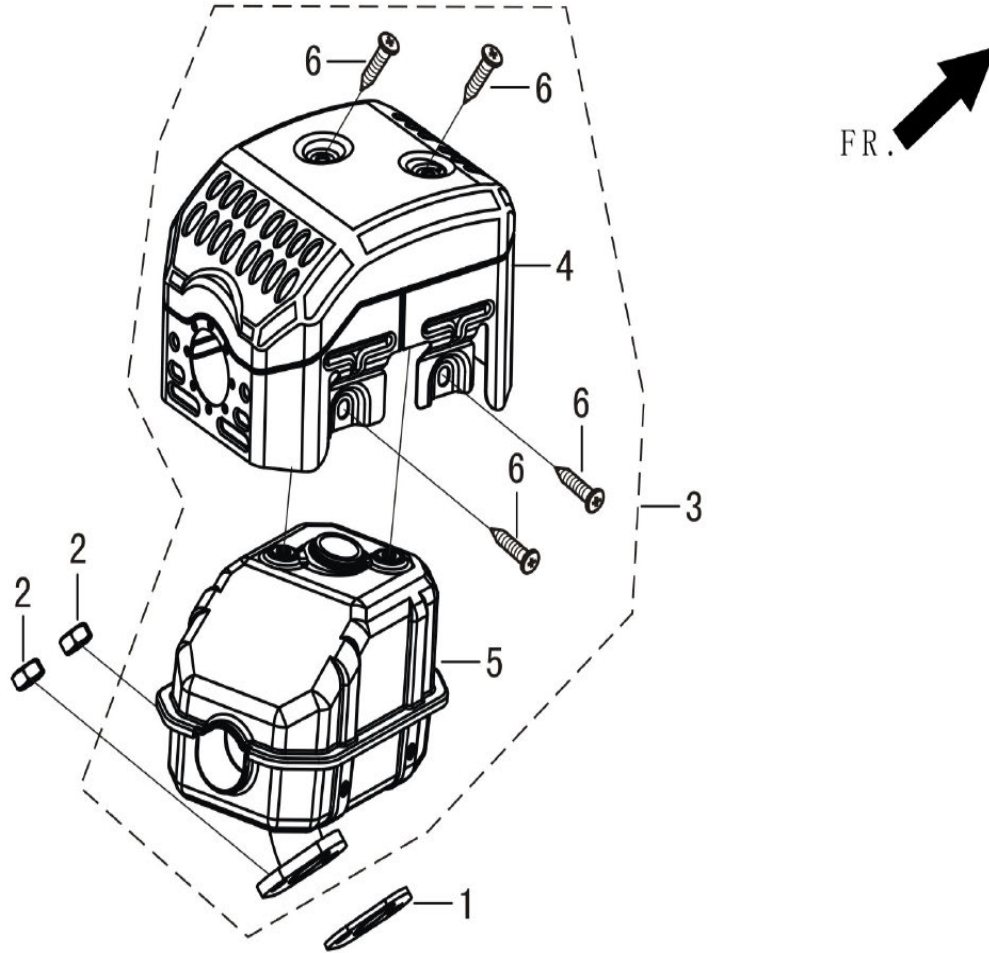
MAT PART NO.	REF.NO.	PART NO	DESCRIPTION
E105195	E11-1	16100-Z440210-QG00	CARBURETOR ASSY.
E105196	E11-2	17001-Z010210-0000	GASKET, AIR CLEANER
E105197	E11-3	16001-Z050110-0000	GASKET, CARBURETOR
E105198	E11-33	16003-Z010110-0000	PLATE, CARBURETOR INSULATOR
E105199	E11-34	16002-Z050110-0000	GASKET, CARBURETOR INSULATOR

**FIG.10 CLEANER, AIR ( F02 )**



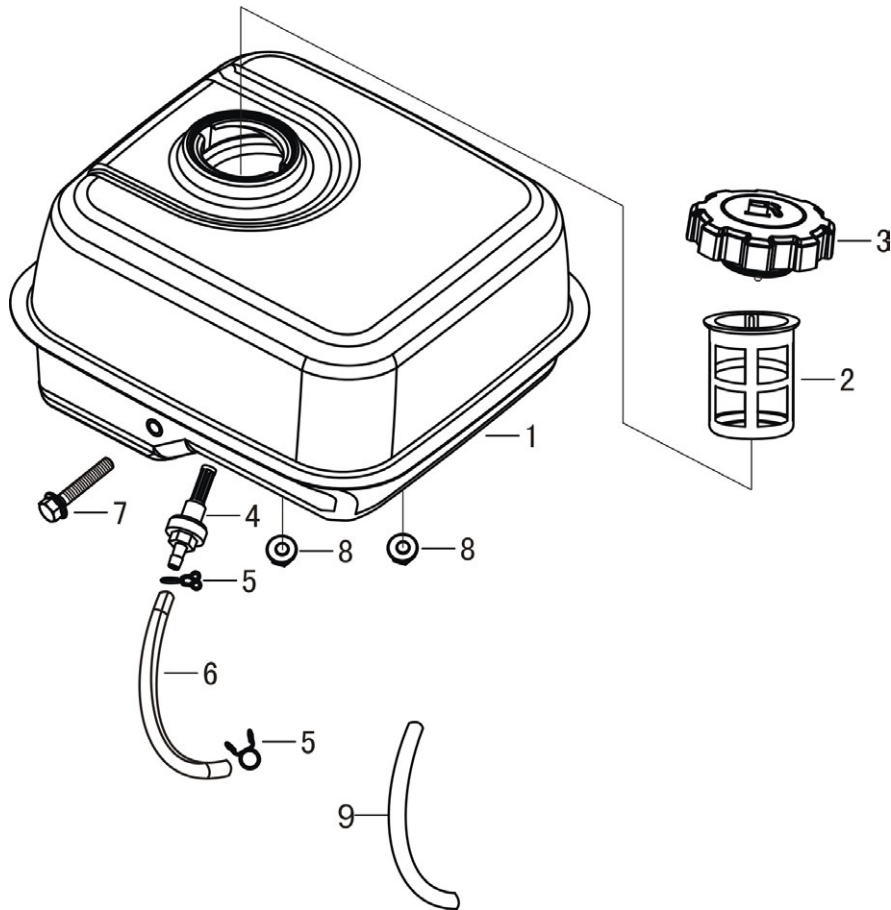
<b>MAT PART NO.</b>	<b>REF.NO.</b>	<b>PART NO</b>	<b>DESCRIPTION</b>
E105200	E04-1	90305-0600-31	NUT
E105201	E04-2	17100-Z440110-0000	CLEANER, AIR
E106077	E04-4		ELEMENT, FILTER

**FIG.11 MUFFLER ASSY. ( F04 )**



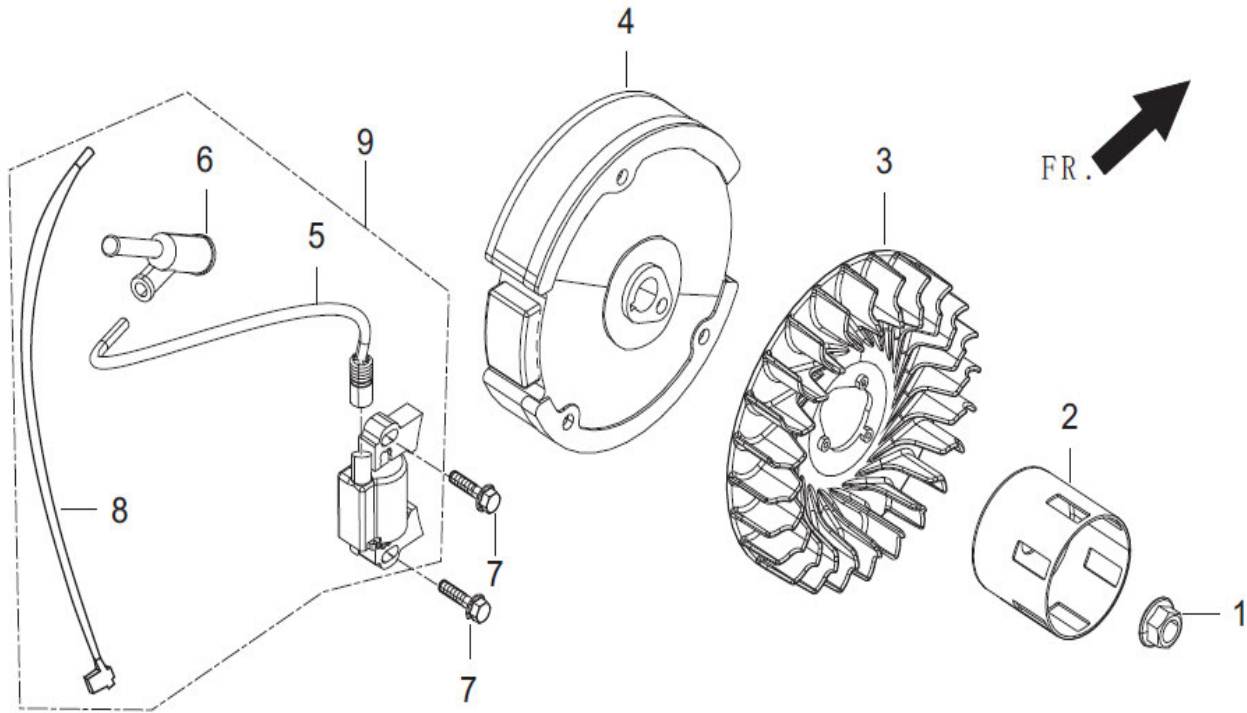
MAT PART NO.	REF.NO.	PART NO	DESCRIPTION
E105202	F04-1	18001-Z440110-0000	GASKET, EXHAUST OUTLET
E105203	F04-2	90303-0800-31	NUT
E105204	F04-3	18100-Z440420-0000	MUFFLER ASSY.
E106078	F04-4		

**FIG.12 TANK ASSY, FUEL ( F01 )**



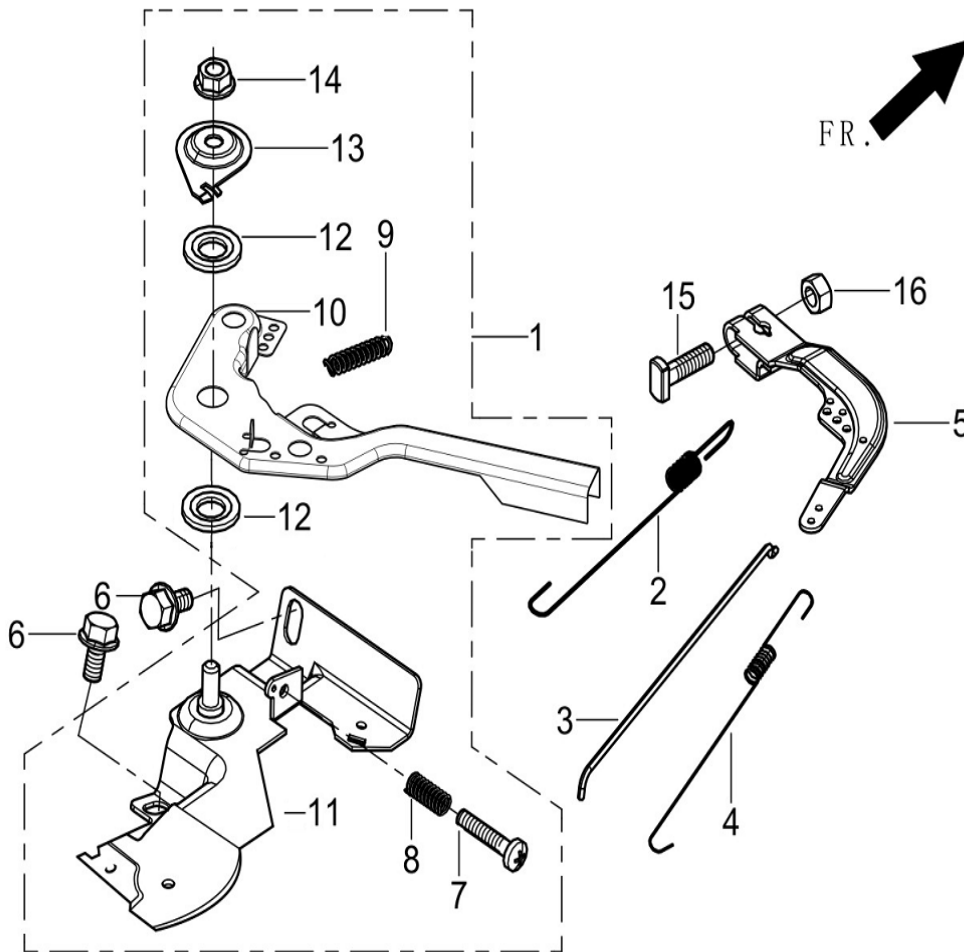
<b>MAT PART NO.</b>	<b>REF.NO.</b>	<b>PART NO</b>	<b>DESCRIPTION</b>
E106053	F01-1	16620-Z440210-H700	TANK, FUEL
E105205	F01-2	16652-Z010110-0000	STRAINER, FUEL
E105206	F01-3	16730-Z300120-0000	COVER, FUEL TANK
E106076	F01-4	16680-Z010110-0000	OUTLET SUBASSEMBLY, FUEL TANK OIL
	F01-5	90740-Z010210-0000	COLLAR
E106054	F01-6	90686-Z010710-0000	TUBE, FUEL
	F01-7	90001-0630-01	BOLT
	F01-8	90305-0600-31	NUT
E106055	F01-9	30431-Z010110-0000	JACKET, RUBBER

# IG.13 FLYWHEEL / IMPELLER / STARTER PULLEY / IGNITION COIL (E15)



MAT PART NO.	REF.NO.	PART NO	DESCRIPTION
	E15-1	13501-Z010110-0000	NUT
E106071	E15-2	28002-Z260210-0000	PULLEY,STARTER
E106072	E15-3	19352-Z440110-0000	IMPELLER
E106073	E15-4	13510-Z440110-0000	FLYWHEEL SUBASSEMBLY
	E15-7	90001-0625-01	BOLT
E106074	E15-9	30400-Z010210-0000	COIL, IGNITION

**FIG.14 CONTROL ASSY, THROTTLE (E13)**



MAT PART NO.	REF.NO.	PART NO	DESCRIPTION
E106075	E13-1	16520-Z440110-0000	CONTROL ASSY, THROTTLE
	E13-2	16063-Z010510-0000	SPRING, GOVERNOR
	E13-3	16062-Z010110-0000	ROD, GOVERNEOR
	E13-4	16012-Z010110-0000	SPRING, THROTTLE VALVE RETURNING
	E13-5	16070-Z010110-0000	SUPPORT SUBASSEMBLY, GOVERNOR
	E13-6	90001-0610-01	BOLT
	E13-15	16072-Z010110-0000	BOLT, GOVERNOR SUPPORT
	E13-16	90305-0600-31	NUT